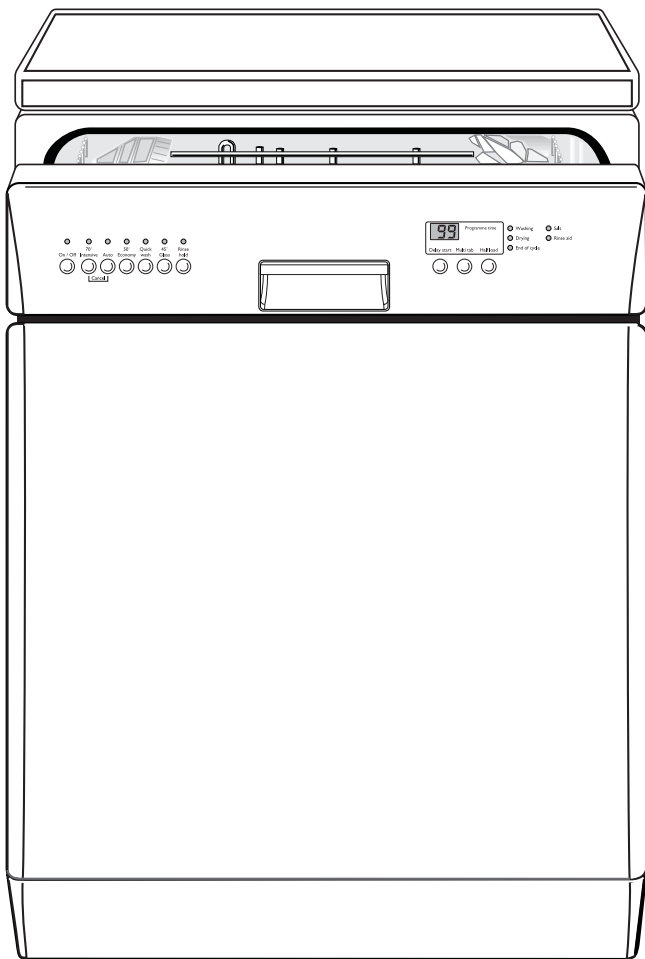


JLDWW I203

dishwasher

Instruction manual



John Lewis

Important Safety Information

It is most important that this instruction book should be retained with the appliance for future reference. Should the appliance be sold or transferred to another owner, or should you move house and leave the appliance, always ensure that the book is supplied with the appliance in order that the new owner can get to know the functioning of the appliance and the relevant warnings.

These warnings have been provided in the interest of safety. You **MUST** read them carefully before installing or using the appliance.

If you are unsure of the meanings of these warnings contact the John Lewis branch from which you purchased the appliance.

Installation

- This appliance is heavy. Care should be taken when moving it.
- Check your dishwasher for any transport damage. Never connect a damaged machine. If your dishwasher is damaged, you should contact the John Lewis branch from which you purchased it.
- Before installation all parts of the transportation safety devices and all packaging must be removed. The machine may otherwise be damaged.
- Before using for the first time, ensure that the nominal voltage and type of current specified on the machine's rating plate match the nominal voltage and type of current at the installation site. The electrical fuse required can also be found on the rating plate.
- Always connect the plug into a protection contact socket which has been installed as specified.
- For safety reasons it is dangerous to alter the specifications or attempt to modify this product in any way.
- Any electrical and plumbing work required to install this appliance should be carried out by a qualified and competent person.
- With a permanent connection: A permanent connection may only be established by an authorised specialist electrician.
- Care must be taken to ensure that the appliance does not stand on the electrical supply cable.
- Do not install the machine in rooms at risk of frost.
- Ensure that the door of the dishwasher cannot be blocked/hindered by interior doors of the house, cabinets or other appliances.
- The dishwasher must be level when installed.
- The sides of the dishwasher must never be drilled to prevent damage to hydraulic components.

Child Safety

- This appliance is designed to be operated by adults. Children should not be allowed to tamper with the controls or play with the product.
- Keep all packaging well away from children.
- When the appliance is to be scrapped, cut off the electrical supply cable and destroy the plug with the remaining cable. Disable the door catch in order to prevent children from becoming trapped inside while playing

Use

- Conversions or modifications to the dishwasher are not permitted.
- Items that are contaminated by petrol, paint, steel or iron debris, corrosive, acidic or alkaline chemicals must not be washed in this dishwasher.
- Under no circumstances should you open the door whilst the appliance is in operation, especially during the washing phase, hot water may escape. However, if the door is opened, a safety device ensures that the machine stops.
- Only use products (detergent, salt and rinse aid) specifically designed for use in dishwashers.
- Long bladed knives stored in an upright position are a potential hazard.
- Long and/or sharp items of cutlery such as carving knives must be positioned horizontally in the upper basket.
- Ensure that the door of the dishwasher is always closed when it is not being loaded or unloaded. In this way you will avoid anybody tripping over the open door and hurting themselves.
- Do not sit or stand on the open door.
- Isolate the appliance from the power supply and turn off the water supply after use.

Maintenance and cleaning

- All filters must be checked and cleaned on a regular basis - dirty filters will degrade the wash performance of the dishwasher. For information on maintaining and cleaning your dishwasher see page 25 of this Instruction manual.

Service

- This product should be serviced by an authorised service engineer, and only genuine spare parts should be used. See page 29 for details.



Ecological hints

To save water and energy and help protect the environment, we recommend that you follow these hints:

- Ensure that the water softener is correctly adjusted.
- Do not pre-wash under running water.
- Select the wash programme to suit the nature and degree of the soiling on the dishes.
- Do not use more detergent, dishwasher salt and rinse aid than is recommended in these operating instructions and by the manufacturer of the respective product.
- **Delay start:** When possible programme your dishwasher to run over night, to enable, for example, the use of economical overnight electricity tariffs.
- **Automatic Wash Programme:** This machine is fitted with a turbidity sensor which intelligently adjusts the temperature and rinsing cycles during the wash programme, depending on the degree of soiling on the dishes. This helps to reduce energy and water consumption on lightly soiled loads.



Environmental Information

Dispose of the dishwasher packaging material correctly.

All packaging materials can be recycled.

Plastic parts are marked with standard international abbreviations:

>PE< for polyethylene, e.g. sheet wrapping material.

>PS< for polystyrene, e.g. padding material (always CFC-free).


>POM< for polyoxymethylene, e.g. plastic clips.

Cardboard packaging is manufactured from recycled paper and should be deposited in the waste paper collection for recycling. As and when you cease to use your dishwasher and withdraw it from service, you should render it unserviceable before having it disposed of.

For the disposing of the appliance please take it to a recycling centre or to your dealer who may, for a small contribution to the costs, dispose it for you.



A cut off plug inserted into a 13 amp socket is a serious safety (shock) hazard. Please ensure the cut off plug is disposed of safely.

The symbol  on the product or on its packaging indicates that this product should not be treated as normal household waste. Instead it shall be handed over to the applicable collection point for the recycling of electrical and electronic equipment. By ensuring this product is disposed of correctly, you will help prevent potential negative consequences for the environment and human health which could otherwise be caused by inappropriate waste handling of this product.

For more detailed information about recycling of this product, please contact your local city office, your household waste disposal service or the shop where you purchased the product.

Contents

For the User

Important Safety Information 2

- Installation 2
- Child Safety 2
- Use 2
- Maintenance and cleaning 3
- Service 3
- Ecological hints 3
- Environmental Information 3

Description of the Appliance 5

The Control Panel 11

When the dishwasher is first installed 13

- The Water Softener 13
- Setting the Water Softener 14
- Filling with dishwasher salt 14
- Rinse Aid 15

Using the Dishwasher 17

- Loading Cutlery and Dishes 17
- The lower basket 18
- The cutlery basket 18
- The upper basket 19
- Adjusting the Height of the Upper Basket 20
- Adding detergent 20

Different kinds of detergent 21

Washing programmes 22

Starting a washing programme 23

- Setting the delay timer 23
- Cancelling a delay start 23
- Switching off the dishwasher 23
- Unloading the dishwasher 24

Maintenance and cleaning 25

Something Not Working 27

Repairs - After Sales Service 29

Spare parts 29

For the Installer

Installation 6

- Technical Data 6
- Unpacking 7

Water connections 7

- Water outlet hose connection 7
- Fitting under a counter 8
- Levelling the Dishwasher 9

Electrical connection 10

- Permanent connection 10

Guide to use the Instruction Manual

The following symbols will be found in the text to guide you throughout the Instructions:



Safety Instructions



Hints and Tips



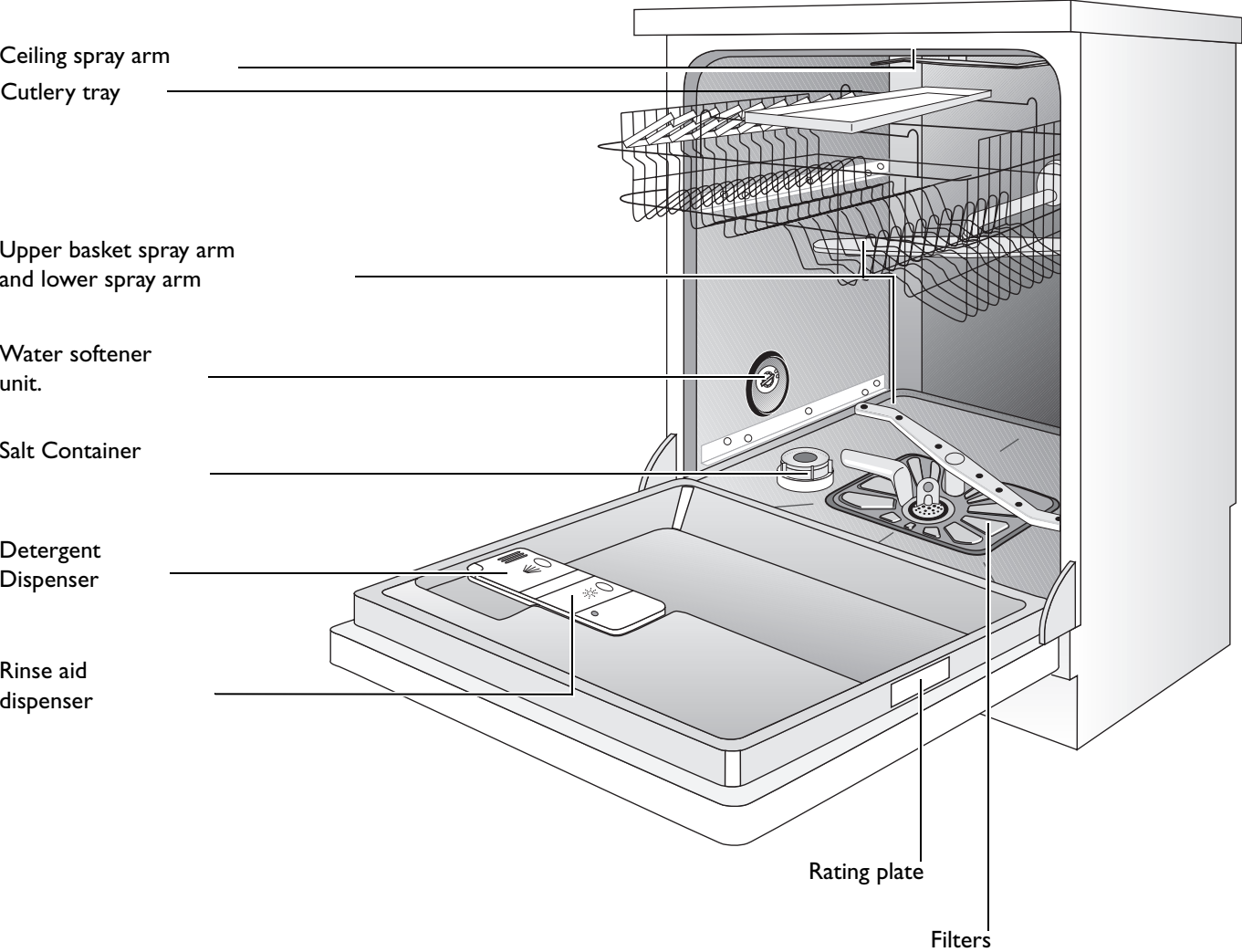
Environmental Information




This appliance complies with the following E.E.C. Directives:


- * 73/23 or 19.2.73 (Low Voltage Directive) and subsequent modifications;
- * 89/336 or 3.5.89 (Electromagnetic Compatibility Directive) and subsequent modifications.


Description of the Appliance




Installation

 It is dangerous to alter the specifications or attempt to modify this product in any way.

 Care must be taken to ensure that the appliance does not stand on the electrical supply cable.

 Any electrical work required to install this appliance should be carried out by a qualified electrician or competent person.

 Any plumbing work required to install this appliance should be carried out by a qualified plumber or competent person.

Technical Data

| | | |
|------------------------|---------------------------------------------------------------------------------------------------------------------------------|--------------------------------------------|
| Dimensions: | Width | 59,8 cm |
| | Height | 85 cm |
| | Max depth | 59,8 cm |
| | Max depth with open door | 114 cm |
| Electrical connection: | Information on the electrical connection is given on the rating plate located on the right inner edge of the dishwasher's door. | |
| Water supply pressure: | Minimum | 0.1 MPa (1 bar) |
| | Maximum | 1.0 MPa (10 bar) |
| Max. weight: | | 54 kg |
| Capacity: | | 12 place settings including serving dishes |

Unpacking

- Remove all packaging before positioning the machine.
- If possible, position the machine next to a water tap and a drain.

Water connections

We recommend that this dishwasher is connected to your cold water supply.

For making the connection itself, the coupling nut fitted to the machine's supply hose is designed to screw onto either a 3/4" inch gas thread spout or to a purpose made quick-coupling tap such as the Press-block.

The inlet hose is fitted with either a plastic or a metal nut:

- **Only** tighten the **plastic** nut **hand tight**.
- You must tighten the **metal** nut **using a tool**.

Then do a visual check for water tightness (make sure that the tap is not dripping).

The water pressure must be within the limits given in the "Technical Data" shown on page 6. Your local Water Authority will advise you on the average mains pressure in your area.

The water inlet hose must not be kinked, crushed, or entangled when it is being connected up.

The dishwasher features fill and drain hoses which can be turned either to the left or the right to suit the installation by means of the locknut. **The locknut must be correctly fitted to avoid water leaks. (Important! NOT all models of dishwashers have fill and drain hoses provided with locknut. In this case, this kind of facility is not possible).**

If the machine is connected to new pipes or pipes which have not been used for a long time, you should run the water for a few minutes before connecting the inlet hose.

DO NOT use connection hoses which have previously been used for an old appliance.

This appliance has been fitted with safety features which will prevent the water used in the appliance from returning back into the drinking water system. This appliance complies with the applicable plumbing regulations.



So that access to the tap in the kitchen is not restricted by the use of the dishwasher, we recommend installing an additional tap, or fitting a T-branch to the existing tap.

Water outlet hose connection

Water Drainage

Drain hose



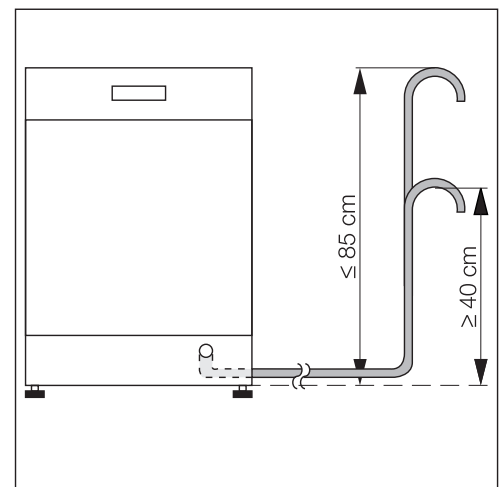
The drain hose must not be kinked, crushed or entangled.

Connecting the drain hose:

- Maximum permitted height: 1 metre.
- Minimum required height: 40 cm above the bottom edge of the appliance.

Extension hoses

- Extension hoses are available from your local Service Force Centre. To ensure that the function of the appliance is not impeded, the internal diameter of extension hoses must be 19 mm.



- Extension hoses must not be laid more than a maximum distance of 4 metres horizontally; the maximum permitted height for the connection for the drain hose is then 85 cm.

Sink outlet connection

- The outlet of the drain hose (\varnothing 19 mm) fits all commonly available sink outlet types. The outer diameter of the sink outlet connection must be at least 15 mm.
- The drain hose must be fixed to the sink outlet connection using the hose clamp supplied.

Water drainage if the dishwasher is built-in at high level

If the dishwasher is installed at a high level, and the drain hose connection is less than 30 cm from the lower edge of the appliance, adapter kit ET 111099520 must be fitted by your local Service Force Centre.

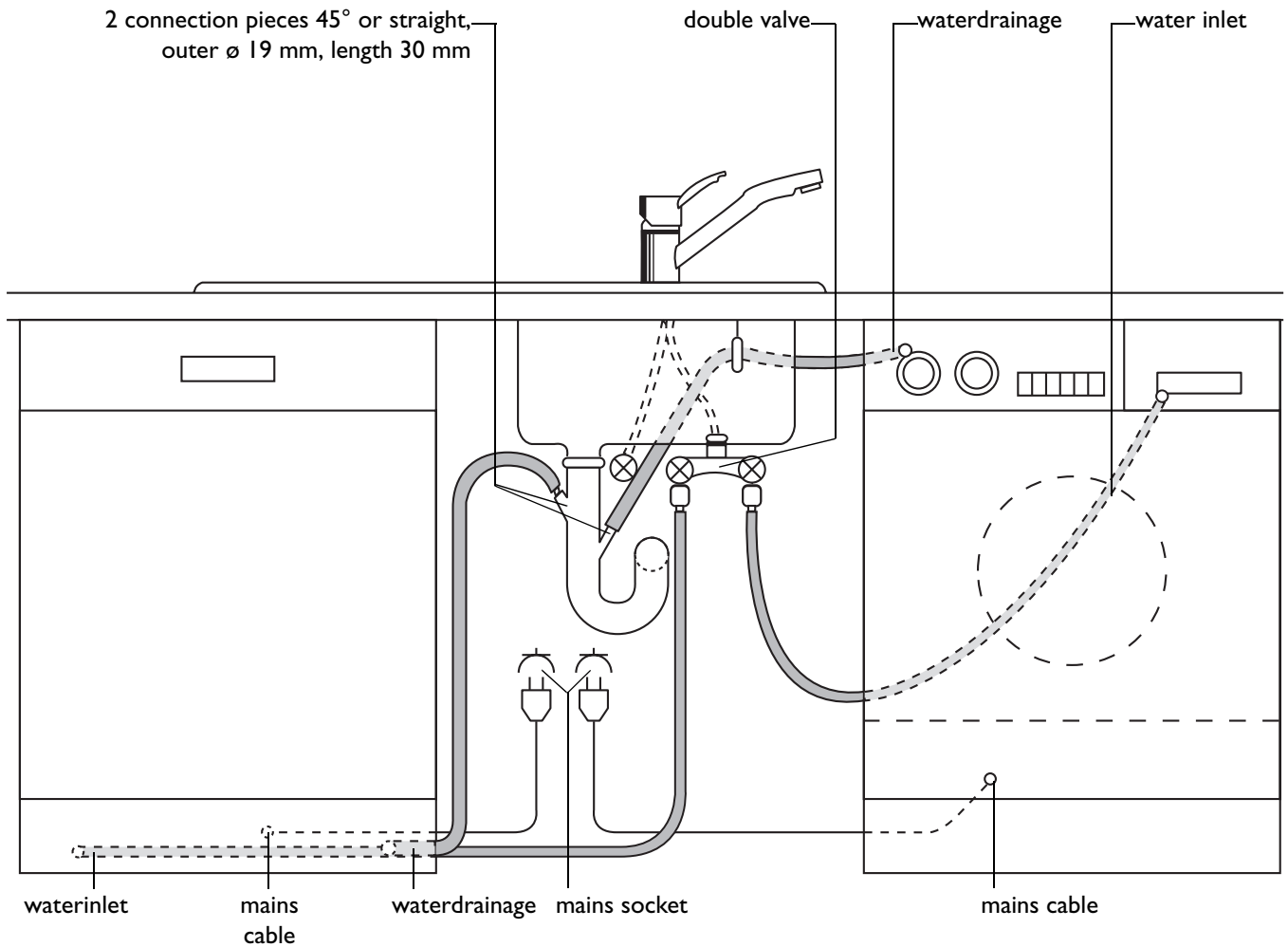
Anti-flood System

For protection from water damage, the dishwasher is equipped with a anti-flood system.

In the event of a fault, the safety valve in the water inlet hose immediately interrupts the supply of water to the appliance and the drain pump is activated. In this way water can neither escape nor overflow. The remaining water in the appliance is automatically pumped out.

Connecting Systems

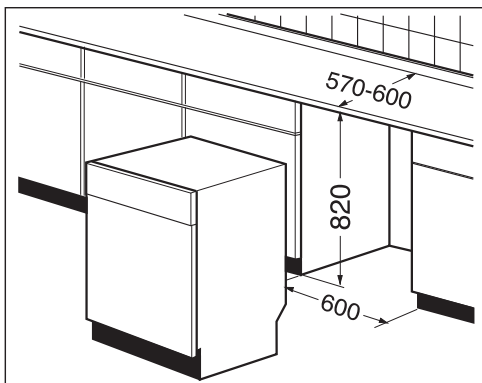
The water inlet hose, drain hose and the mains cable must all be connected to the side of the dishwasher as there is no space for them behind the appliance.



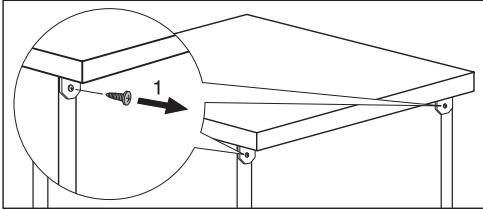
Fitting under a counter

(kitchen worktop or sink)

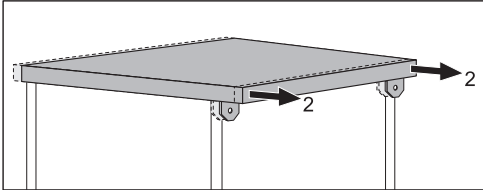
By removing the machine's worktop, you can install it under a close fitting sink unit or a pre-existing top, providing the dimensions of the recess correspond to those shown in the picture.



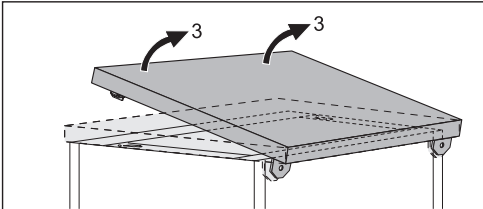
Proceed as follows:




1. Unscrew the screws from the elbows at the rear (1).
2. Push the appliance's worktop backwards about 1 cm (2).





3. Lift the worktop at the front (3) and remove it.
- Insert the machine after adjusting




height and levelling with the adjustable feet. When inserting the machine, ensure that the water inlet and drain hoses are not kinked or squashed. During all operations that involve accessibility to internal components the dishwasher has to be unplugged.

 Be sure that once the appliance has been installed, it is easily accessible for the service engineer in the event that a repair is required.

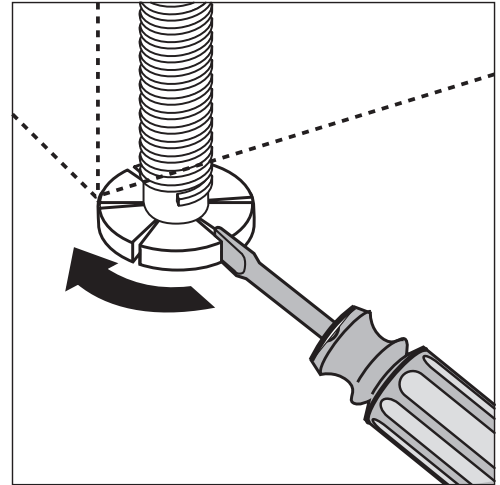
 If the dishwasher is installed directly next to a cooker, a heat-insulating, non-flammable panel (laminated with aluminium foil on the side next to the cooker) must be fitted flush with the top edge of the work surface.

 If the dishwasher is later used as a free-standing appliance, the work surface supplied with it must be re-mounted.

 The plinth on free-standing appliances is not adjustable.

Levelling the Dishwasher

- The dishwasher must be installed on a firm floor and adjusted to ensure that it is stable and level in all directions.
- To overcome irregularities in the floor and to match the height of the appliance to that of surrounding units, extend the threaded feet using a screwdriver.



- The drain hose, inlet hose and mains cable must be laid so that they are able to move freely within the plinth area, and so that they are not kinked or crushed when the dishwasher is in position.

Good levelling is essential for correct closure and sealing of the door.

When the appliance is correctly levelled, the door will not catch on either side of the cabinet.

If the door does not close correctly, loosen or tighten the adjustable feet until the machine is perfectly level.

Electrical connection

Any electrical work required to install this appliance should be carried out by a qualified electrician or competent person.

WARNING: THIS APPLIANCE MUST BE EARTHED.

Should the appliance power supply cable need to be replaced, this must be carried out by a Service Force agent (see page 29).

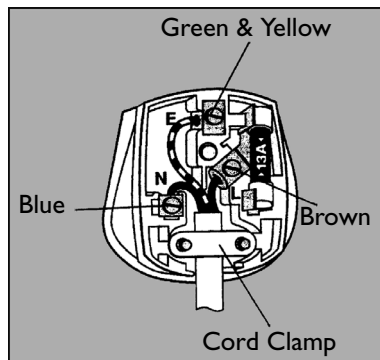
The manufacturer declines any responsibility should this safety measure not be observed.

Before switching on, make sure the electricity supply voltage is the same as that indicated on the appliance's rating plate. (See picture on page 5).

The appliance is supplied with a 13amp plug fitted.

In the event of having to change the fuse in the plug supplied, a 13amp ASTA approved BS 1363/A fuse must be used. Should the plug need to be replaced for any reason, proceed as described below. The wires in the mains lead are coloured in accordance with the following code:

| | |
|-------------------------|-----------|
| Green and Yellow | - Earth |
| Blue | - Neutral |
| Brown | - Live |



If you fit your own plug, the colours of the wires in the mains lead of your appliance may not correspond with the markings identifying the terminals in your plug.

Proceed as follows:

1. Connect the Green and Yellow (earth) wire to the terminal in the plug which is marked with the letter "E" or the earth symbol or coloured green and yellow.
2. Connect the Blue (neutral) wire to the terminal in the plug which is marked with the letter "N" or coloured black.
3. Connect the Brown (live) wire to the terminal in the plug which is marked with the letter "L" or coloured red.
4. Upon completion there must be no cut, or stray strands of wire present and the cord clamp must be secure over the outer sheath.



WARNING:

A cut off plug inserted into a 13 amp socket is a serious safety (shock) hazard. Ensure that the cut off plug is disposed of safely.



The plug must still be accessible after the appliance has been installed.



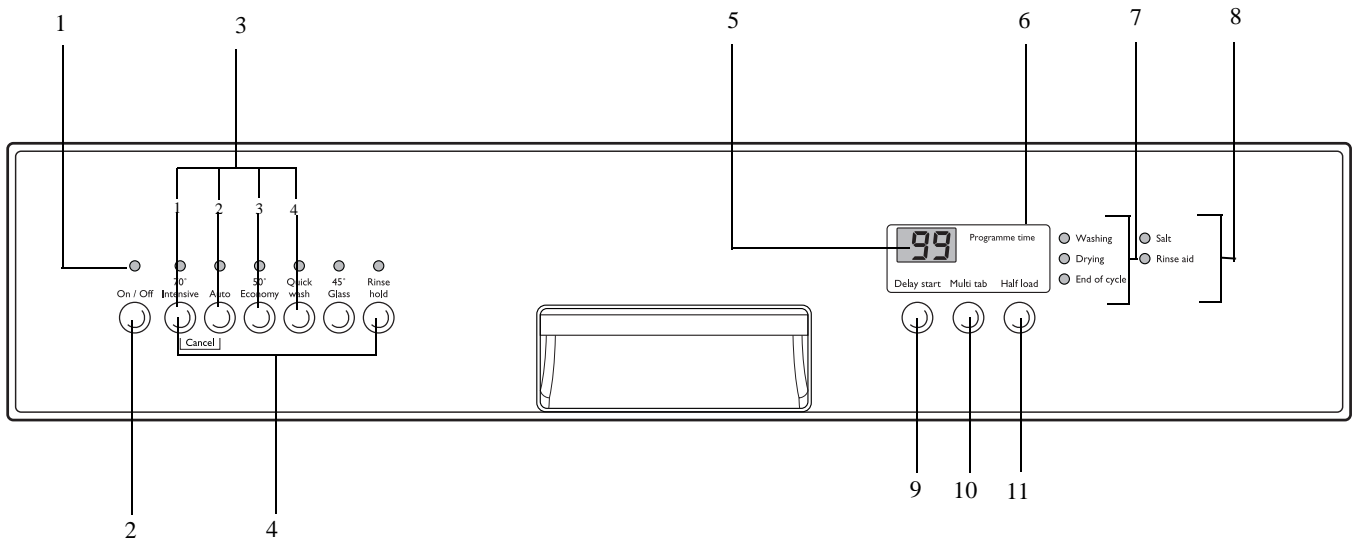
The appliance should not be connected to the electrical supply by means of an extension cable.

Permanent connection

In the case of permanent connection it is necessary that you install a double pole switch between the appliance and the electricity supply (mains), with a minimum gap of 3mm between the switch contacts and of a type suitable for the required load in compliance with the current electrical regulations.

The switch must not break the yellow and green earth cable at any point.

The Control Panel



1. On/Off indicator light

2. On/Off button

3. Function buttons

In addition to the dishwashing programme selected, the following functions can also be set with the help of these buttons:

- the setting of the water softener,
- activation/deactivation of the rinse aid dispenser,
- the cancelling of a programme in progress.

4. Programme selection buttons

The selection of a washing programme occurs by pressing one of these buttons (see "Washing programmes" chart on page 22).

5. The digital display indicates:

- the level of hardness to which the water softener is set,
- if the rinse aid dispenser is activated/deactivated,
- the approximate remaining time of the running programme,
- the end of the programme (a zero will appear in the digital display),
- the countdown of the delay start,
- fault codes concerning malfunction of the dishwasher.

6. Programme time indicator light

Illuminates with a back light when a washing programme has been set and remains illuminated until the appliance is switched off. When delay start has been set, this indicator light turns off and will illuminate once the countdown has elapsed and the washing programme has started.

7. Programme phase indicator lights

| | |
|---------------------|--------------------------------------------------------------|
| Washing: | illuminates when the washing and rinsing phases are running. |
| Drying: | illuminates when the drying phase is running. |
| End of cycle | illuminates when the washing programme has ended. |

As soon as you select a washing programme, the phase indicator lights foreseen for that programme will start flashing. As the programme starts, the phase indicator lights will turn off except for the indicator light of the phase in progress which will remain lit with a static light.

8. Control indicator lights

| | |
|--------------------|---------------------------------------------------------------------------------|
| Salt: | salt refilling indicator light, illuminates when the salt has run out |
| Rinse aid:: | rinse aid refilling indicator light, illuminates when the rinse aid has run out |

The salt and rinse aid indicator lights are never illuminated while a washing programme is running even if filling with salt and rinse aid is necessary.

9. Delay start button

This option allows the start of the programme to be delayed from 1 to 19 hours.

10. Multi tab button

This appliance is equipped with the "Multi tab" function, that allows the use of the combi detergent tablets with a combined cleaning, rinsing and salt function (see chapter „Different kinds of detergent“).

11. Half load button

This option is useful and economical when only a small load needs washing reducing the consumption of water and energy.

This option must be linked to the selection of a washing programme. (Programmes with this option are indicated in the "Washing programmes" chart on page 22).

When selected, a back light will illuminate "Half load".

Load the dishes into both baskets (upper basket and lower basket).

When using this option we recommend to reduce the dose of detergent that is normally used for a complete load.

When the dishwasher is first installed

Before using your dishwasher for the first time:

1. Ensure that the electrical and water connections comply with the installation instructions
2. Remove all packaging from inside the appliance

- i** If you wish to use 3 in 1 detergent:
- First read the section “Different kinds of detergents”.
 - Do not fill up with special salt or rinse aid.

If you do not use 3in1 detergent, before using for the first time

1. Set the water softener
2. Fill up with dishwasher salt
3. Fill up with rinse aid

The Water Softener

To avoid scale deposits on the dishes and in the dishwasher, the dishes must be washed with soft water, i.e. water with a low lime content.

The dishwasher is equipped with a water softener designed to remove minerals and salts from the water supply, which would have a detrimental or adverse effect on the operation of the appliance. The higher the content of these minerals and salts, the harder your water is.

Water hardness is measured in equivalent scales, Clarke degrees and mmol/l (millimol per litre - international unit for the hardness of water).

The softener should be adjusted according to the hardness of the water in your area. Your local Water Authority can advise you on the hardness of the water in your area.

The water softener must be set in both ways: manually, using the water hardness dial and electronically, using the function buttons on the control panel.

| Water hardness | Adjusting the water hardness setting | | Level indicated on the digital display | Use of salt | |
|----------------|--------------------------------------|-------------------------|----------------------------------------|-------------|----------|
| | in Clarke ¹⁾ | in mmol/l ²⁾ | | | manually |
| 64 - 88 | 9.0 - 12.5 | I | level 10 ³⁾ | 10L | yes |
| 53 - 63 | 7.6 - 8.9 | I | level 9 | 9L | yes |
| 46 - 52 | 6.5 - 7.5 | I | level 8 | 8L | yes |
| 36 - 45 | 5.1 - 6.4 | I | level 7 | 7L | yes |
| 28 - 35 | 4.0 - 5.0 | 0* | level 6 | 6L | yes |
| 23 - 27 | 3.3 - 3.9 | 0* | level 5 | 5L | yes |
| 18 - 22 | 2.6 - 3.2 | 0* | level 4* | 4L | yes |
| 13 - 17 | 1.9 - 2.5 | 0* | level 3 | 3L | yes |
| 5 - 12 | 0.7 - 1.8 | 0* | level 2 | 2L | yes |
| below 5 | below 0.7 | 0* | level 1 | 1L | no |

1) Clarke, a measurement of the hardness of water

2) [mmol/l] millimol per litre, international unit for water hardness

3) On this setting the length of the dishwashing cycle may be slightly longer.

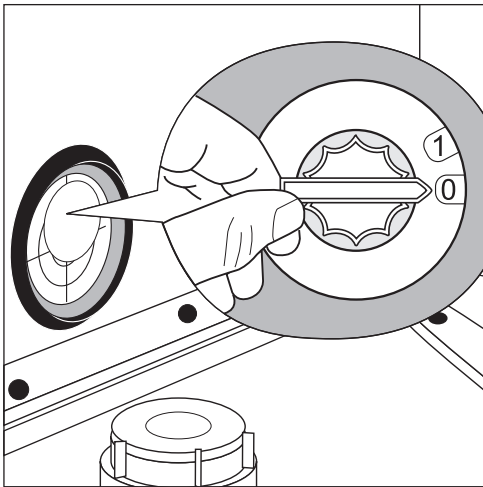
*) factory setting

Setting the Water Softener

The water softener must be set manually and electronically:

a) Setting manually

The dishwasher must be switched off.



1. Open the dishwasher door.
2. Remove the lower basket from the dishwasher.
3. Turn the water hardness dial to position 0 or 1 (see table).
4. Replace the lower basket.

The dishwasher is factory set at position 0.

b) Setting electronically

i The electronic setting of the water softener is possible **ONLY** with the Multi-tab function deactivated.

1. Press the On/Off button. The On/Off indicator light and all the programme indicator lights will illuminate (setting mode).

If only one programme button indicator light is on, this means that a washing programme is set. The programme must be cancelled:
press simultaneously function buttons **1** and **2** for about 2 seconds. All programme indicator lights will illuminate indicating that the set programme has been cancelled and the machine is now in setting mode.

2. Press function buttons **1** and **2** simultaneously and hold them down.

The LED indicators for function buttons 1 to 3 will flash.

3. Press function button **1**.

The LED indicator for function button **1** will flash.

The multi-display will indicate the hardness setting.

4. Pressing function button **1** increases the hardness setting by 1.

(Exception: hardness setting 1 follows hardness setting 10).

Examples:

If the current level is 5, by pressing function button **1** once, level 6 is selected.

If the current level is 10, by pressing function button **1** once, level 1 is selected.

5. When the hardness setting is correct, press the ON/OFF button.

The hardness setting is now saved.

If the water softener is set electronically to "1", this switches off the control indicator for dishwasher salt.

Filling with dishwasher salt

Only use salt specifically designed for use in dishwashers.

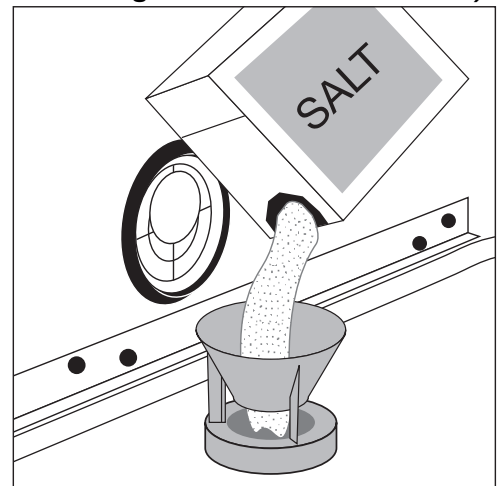
All other types of salt not specifically designed for use in a dishwasher, especially table salt, will damage the water softener.

Only fill with salt just before starting one of the complete washing programmes.

This will prevent any grains of salt or salty water, which may have been spilt, remaining on the bottom of the machine for any period of time, which may cause corrosion.

To fill:

1. Open the door, remove the lower basket and unscrew the cap of the salt container by turning it anticlockwise.
2. Pour 1 litre of water inside the container (**this is necessary only before filling with salt for the first time**).



3. Place the funnel (supplied) over the dispenser opening. Fill the dispenser with dishwasher salt; the capacity of the dispenser is approx. 1.0-1.5 kg, depending on the size of the grains. Do not overfill the dispenser.
4. Replace the cap making sure that there is no trace of salt on the screw thread or on the gasket.
5. Replace the cap tightly turning it clockwise until it stops with a click.

The salt container will require topping up periodically. You are reminded of this by the salt indicator light on the control panel which comes on when the salt has finished.

The salt indicator light on the control panel can remain illuminated for 2-6 hours after the salt has been replenished, assuming the dishwasher remains switched on. If you are using salts that take longer to dissolve then it will take longer. The function of the machine is not affected.

Do not worry if water over flows from the unit when filling with salt, this is quite normal.

Rinse Aid

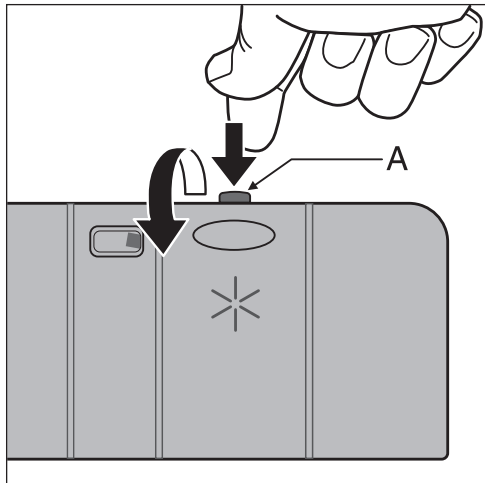
Rinse aid is automatically added during the last rinse. Rinse aid will ensure the water flows away easily from the crockery, ensuring thorough rinsing, spot and streak free, leaving gleaming dishes and glassware.

The dispenser which is positioned inside the door, holds about 140ml of Rinse aid which is sufficient for 20 to 40 Dishwashing programmes, depending on the dosage setting.

If you do not use 3in1 detergent, fill up with rinse aid:

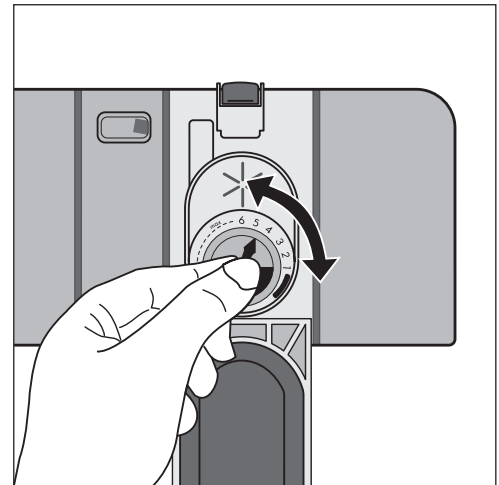
- Before using the dishwasher for the first time.
- When the control indicator for rinse aid is illuminated on the control panel.

Use only special rinse aid for dishwashers.



Adjusting the dose

According to the finish and drying results obtained, adjust the dose of rinse aid by means of the 6 position selector (position 1 minimum dosage, position 6 maximum dosage). The dose is factory set in position 4.



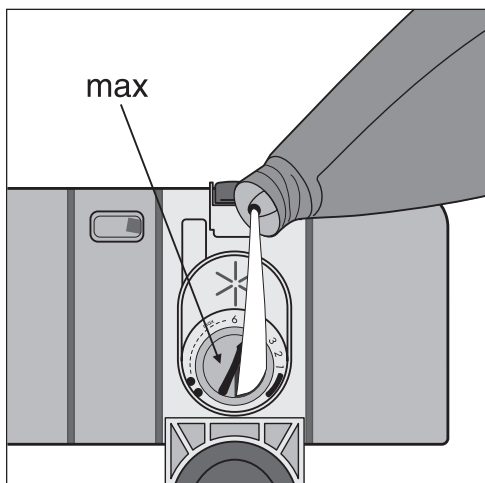
Increase the dose if there are drops of water or lime spots on the dishes after washing.

Reduce it if there are sticky whitish streaks on the dishes or a bluish film on glassware or knife blades.

Top up the rinse aid when the indicator light on the control panel illuminates.

Filling with rinse aid

1. Open the container by pressing the release button (A).
2. Add the rinse aid until the container is completely full. The maximum level for filling is indicated by "max".




Ensure that the lid is closed after every refill.

Clean up any rinse aid spilt during filling with an absorbent cloth to avoid excess foaming during the next wash.


Only use branded rinse aid for dishwashers. Never fill the rinse aid dispenser with any other substances (e.g. dishwasher cleaning agent, liquid detergent). This would damage the appliance.

Activating rinse aid inflow when "Multi tab" function is selected

 If the "Multi tab" function is not selected, the rinse aid inflow is always activated.

If the "Multi tab" function is selected due to the use of 3in1 detergent, the rinse aid inflow is deactivated. If the dishes then do not dry sufficiently, you should re-activate the rinse aid inflow (see also section "Using 3in1 detergents").

1. Press the ON/OFF button.

 If indicators for the programme buttons are lit, a dishwashing cycle is activated. The dishwashing cycle must be deselected:

Press function buttons **1** and **2** simultaneously for approx. 2 seconds.

All additional wash programme button indicators will go out.

2. Press function buttons **1** and **2** simultaneously and keep them pressed.

The LED indicators for function buttons 1 to 3 will flash.

3. Press function button **2**.

The LED indicator for function button **2** will flash.

The multi-display will indicate the current setting:

| | |
|-----------|--------------------------------------------------------------------|
| <i>0d</i> | Rinse aid inflow deactivated when „Multi tab“ on (factory setting) |
| <i>1d</i> | Rinse aid inflow activated when „Multi tab“ on |

4. Pressing function button **2** activates and deactivates the rinse aid dispensing function.

5. Once the multi-display is indicating the required setting, press the ON/OFF button. The setting is now saved.

Using the Dishwasher

- Check if it's necessary to refill with dishwasher salt or rinse aid.
- Load cutlery and dishes into the dishwasher.
- Fill with dishwasher detergent .
- Select a wash programme suitable for the cutlery and dishes.
- Start the wash programme.

Loading Cutlery and Dishes



Sponges, cleaning cloths and any other objects that can absorb water must not be washed in the dishwasher.

Plastic and Teflon-coated dishes and pans tend to retain water droplets. These dishes and pans therefore do not dry as well as those made of china and stainless steel.

- Before loading the dishes, you should:
 - Remove the worst of the food residues.
 - Soak pans with burnt-on food residues.

Caution:

If this is done with washing up liquid or a similar product, ensure it is all rinsed off before placing the item into the dishwasher.

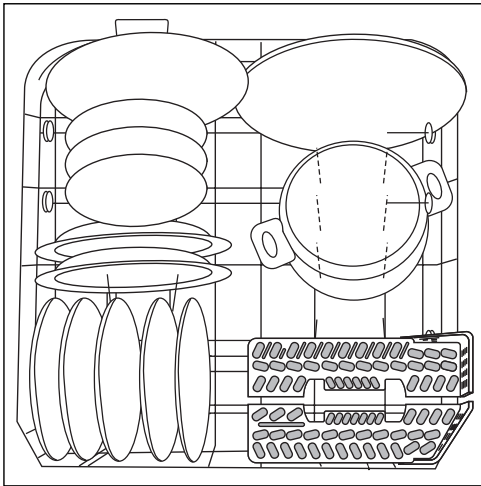
- When loading the dishes and cutlery, please note:
 - Dishes and cutlery must not impede the rotation of the spray arms.
 - Load bowls, cups, glasses, pans, etc. with the opening downwards so that water cannot collect in them
 - Dishes and items of cutlery must not lie inside one another or cover one another
 - To avoid damage to glasses, they must not touch one another
 - Don't put small items (e.g. lids) in the baskets for the dishes, but in the cutlery basket, so that they can't fall through the holes.

| Beware: Some cutlery / dishes are not suitable or of limited suitability to be washed in dishwashers | |
|----------------------------------------------------------------------------------------------------------------------------------------------------------------------------------------------------------------------------------------------------------------------------------------------------------------------------------------------------------------------------------------------------------------------------------------------------------------------------|----------------------------------------------------------------------------------------------------------------------------------------------------------------------------------------------------------------------------------------------------------------------------------------------------------------------------------------------------------------------------------------------------------------------------------------------------------------------------------------------------------------------------------------------------------------------------------------------------------------------------|
| not suitable: | of limited suitability: |
| <ul style="list-style-type: none"> • Cutlery with wooden, horn, china or mother of pearl handles • Plastic items that are not heat resistant • Older cutlery with cement that is sensitive to temperature • Dishes or cutlery with glued parts • Pewter or copper items • Lead crystal glass • Steel items that rust • Wooden boards/platters • Items made from synthetic materials | <ul style="list-style-type: none"> • Only wash stoneware in the dishwasher if it is specifically marked by the manufacturer as being dishwasher-safe. • Glazed patterns may fade if washed very frequently in the dishwasher. • Silver and aluminium parts have a tendency to discolour during washing. Food remains, e.g. egg white, egg yolk and mustard often cause discoloration and staining on silver. Therefore always clean food residues from silver immediately, if it is not to be washed straight after use. • Glass can become dull after a large number of washes. |

Open the door and slide out the baskets to load the dishes.

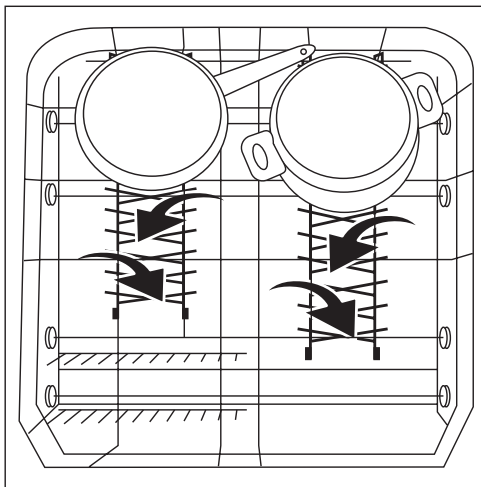
The lower basket

The lower basket is designed to take saucepans, lids, plates, salad bowls, cutlery etc.



Serving dishes and large lids should be arranged around the edge of the basket, ensuring that the spray arms can turn freely.

The rows of prongs on the lower basket can be easily lowered to allow you to load pots, pans and bowls.



The cutlery basket



Warning!

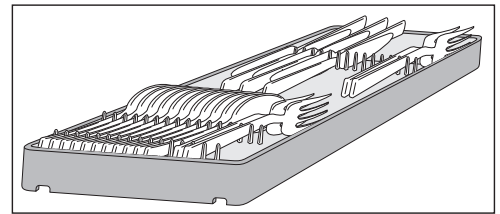
Long bladed knives stored in an upright position are a potential hazard.

Long and/or sharp items of cutlery such as carving knives must be positioned horizontally in the upper basket.

Take care when loading or unloading sharp items such as knives.

Forks and spoons should be placed in the removable cutlery basket with the handles facing downwards and the knives with their handles facing upwards.

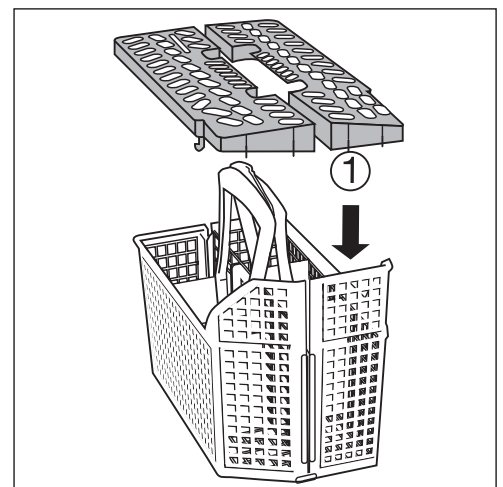
If the handles protrude from the bottom of the basket, obstructing the lower spray arm, load the cutlery with the handles facing upwards. Mix spoons with other cutlery to prevent them from sticking together.



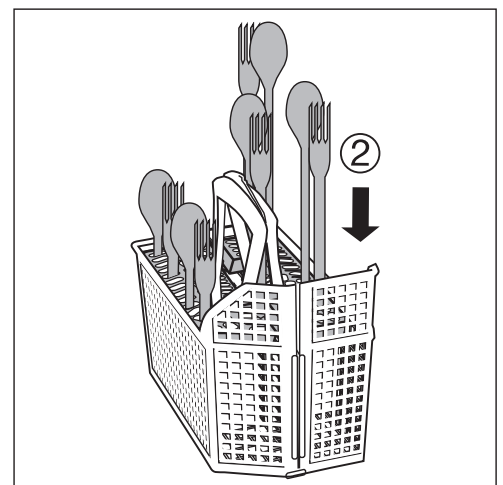
For best results we recommend you to use the cutlery grid provided (if the size and dimensions of the cutlery allow it).

To ensure that all items of cutlery in the cutlery basket can be reached by the water, you should:

1. Place the grid insert on the cutlery basket.

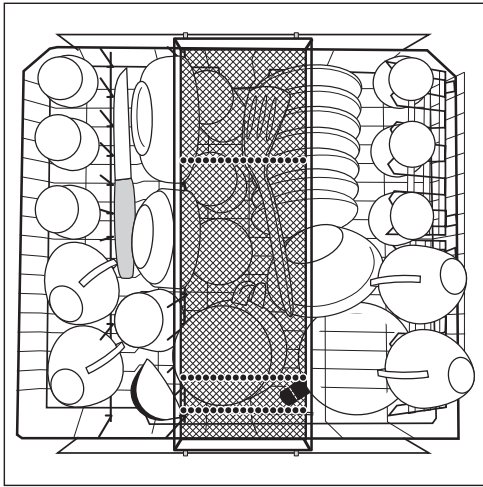


2. Place forks and spoons in the cutlery basket's grid insert with their handles pointing downwards. For larger utensils, such as whisks, leave off one half of the cutlery grid



The upper basket

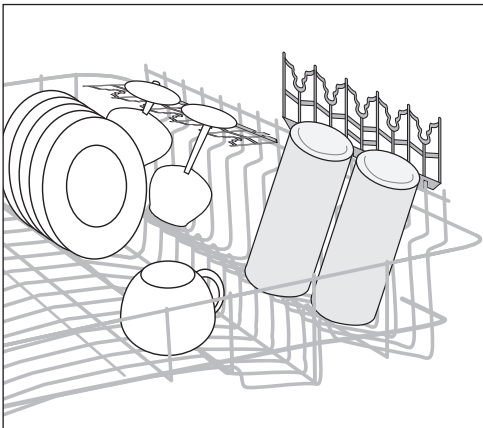
The upper basket is designed for plates (dessert plates, saucers, dinner plates of up to 24 cm in diameter), salad bowls, cups, glasses and for long, sharp cutlery.



Arrange items on and underneath the cup racks so that water can reach all surfaces.

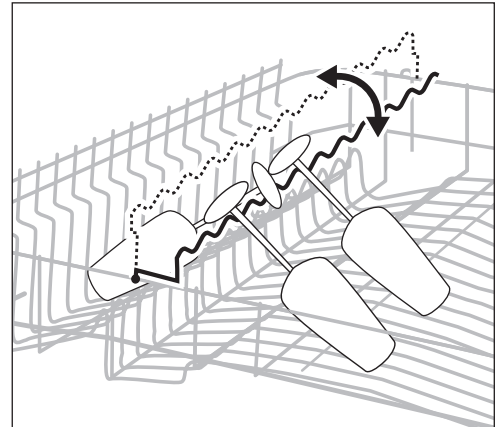
For taller items, the cup racks can be folded upwards. Light items (plastic bowls etc.) must be loaded in the upper basket and arranged so they do not move.

- Arrange items of crockery on and under the folding cup racks so that they are offset from each other and water can reach all items.
- The cup racks can be folded up out of the way for tall crockery items.

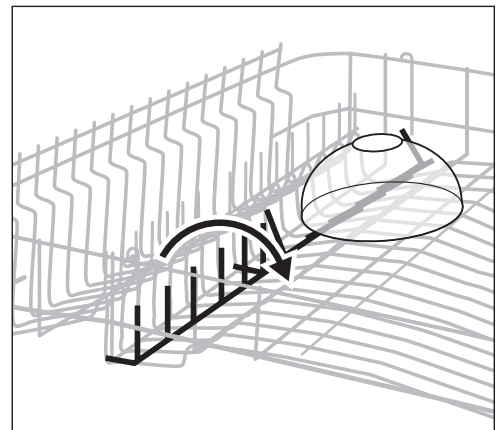


- Lay or hang wine and brandy glasses in the slots in the cup racks.

- For glasses with long stems (according to the size and dimensions), fold the glass rack to the right, otherwise fold it away to the left.



- The row of spikes on the left of the upper basket is also in two parts and can be folded away.
Spikes not folded away: place glasses, mugs etc. in the upper basket.
Spikes folded away: More room for serving dishes.



Before closing the door, ensure that the spray arms can rotate freely.

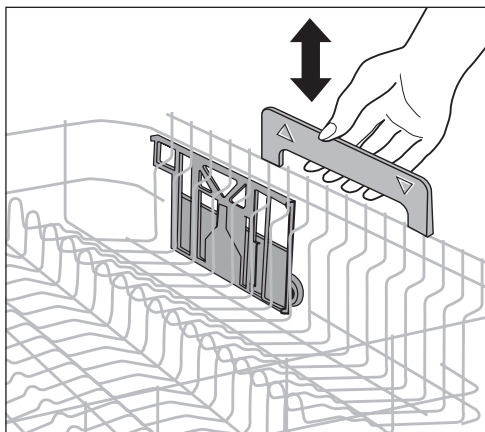
Adjusting the Height of the Upper Basket

If washing very large plates you can load them in the lower basket after moving the upper basket to the higher position.

| | Maximum height of dishes in the | |
|---------------------------|---------------------------------|--------------|
| | upper basket | lower basket |
| with upper basket raised | 22 cm | 30 cm |
| with upper basket lowered | 24 cm | 29 cm |

i The height of the baskets can also be adjusted when they are loaded.

Raising / Lowering the upper basket



1. Pull out the upper basket until it stops.
2. Holding the upper basket by the handle, raise it as far as it will go and then lower it vertically. The upper basket will latch into the lower or the upper position.

After loading your machine always close the door, as an open door can be a hazard.

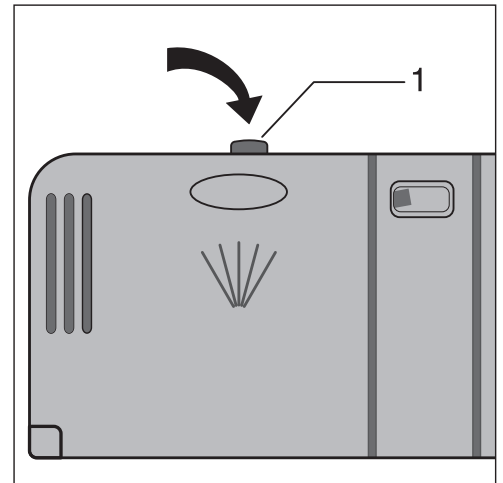
Adding detergent

i Only use detergents specifically designed for use in dishwashers. Please observe the manufacturer's dosing and storage recommendations as stated on the detergent packaging.

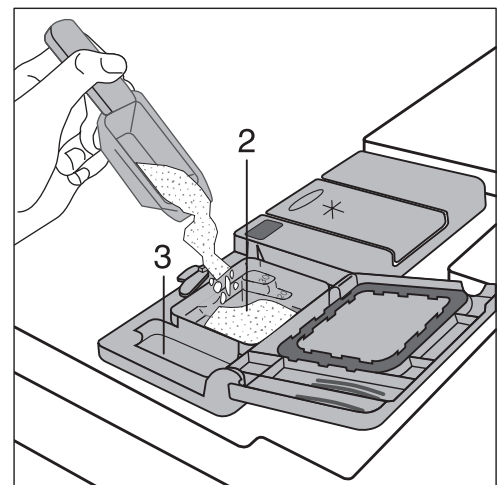
Using no more than the correct amount of detergent contributes to reducing pollution.

Fill with detergent

1. If the lid is closed: press release button (1). The lid springs open.



2. Fill the detergent dispenser (2) with detergent. The marking indicates the dosing levels:
20 = approximately 20 g of detergent
30 = approximately 30 g of detergent



3. All programmes with prewash need an additional detergent dose (5/10 g) that must be placed in the prewash detergent chamber (3). This detergent will take effect during the prewash phase.
4. Close the lid and press until it locks in place.

Different kinds of detergent

Concentrated Detergents

Modern detergents for dishwashers are almost exclusively lowalkaline concentrated detergents with natural enzymes in tablet form.



Using 50°C washing programmes in conjunction with these concentrated detergents reduces pollution and is good for your dishes, as these washing programmes are specially matched to the dirt-dissolving properties of the enzymes in concentrated detergents. It is for this reason that using 50°C washing programmes in conjunction with concentrated detergents can achieve the same cleaning results that can otherwise only be achieved using 65°C washing programmes.

Use of combi tablet detergents

These products are detergents with a combined cleaning, rinsing and salt function.

When the "Multi tab" function is activated,

- the addition of special salt and rinse aid from the respective dispenser is prevented.
- If the salt and rinse aid dispensers are empty, this is not indicated.
- The dishwashing cycles can be up to 30 minutes longer.



If you want to use combi tablet detergents, check whether these detergents are suitable for your water hardness. (Follow the manufacturer's instructions!)

If your water hardness is higher than that recommended by the manufacturer but you would nevertheless like to use combi tablet detergents, proceed as follows:

With the "Multi tab" function selected, set the water softener one hardness setting lower than when rinsing without multi tablet detergents.

Fill up the dispenser (if this is empty) with special salt.

The dishwasher remembers the two different settings of the degree of hardness for rinsing with and without "Multi tab" function.

If you want to use detergent tablets

1. Press the ON/OFF button.
2. Press the "Multi tab" button.

The button indicator lights up: "Multi tab" function is selected.

Before the start of the dishwashing cycle put 3in1 detergent in the detergent dispenser.



As the rinse aid inflow is automatically switched off when the „Multi tab“ function is activated, it may come about because of the different quality standards in the 3in1 detergent, that the dishes do not dry sufficiently.

If this happens, proceed as follows (see section "Rinse aid"):

- Fill up the dispenser (if this is empty) with rinse aid.
- Set rinse aid dosage to "2" mechanically.
- Activate rinse aid inflow.

If you decide to return to using standard detergents we advise you to:

- Deactivate the "Multi tab" function.
- Fill up the dispensers for salt and rinse aid again.
- Adjust the water hardness setting to the highest setting perform up to 3 normal washing programmes without loading any dishes.
- Adjust the water hardness setting according to the hardness of the water in your area.
- Adjust the rinse aid dosage.

When using "4 in 1" detergents that integrate also anti-glass corrosion agent into "3 in 1" formula, please follow the same indication as given for "3 in 1" detergents.

NOTE: When using **4 in 1** or **5 in 1** detergents that integrate also anti-glass corrosion agent into "3 in 1" formula, please follow the same indication as given for "3 in 1" combi tablet detergents.

When using "4 in 1" detergents that integrate also anti-glass corrosion agent into "3 in 1" formula, please follow the same indication as given for "3 in 1" detergents.

NOTE: When using **4 in 1** or **5 in 1** detergents that integrate also anti-glass corrosion agent into "3 in 1" formula, please follow the same indication as given for "3 in 1" combi tablet detergents.

Detergent Tablets



Detergent tablets from different manufacturers dissolve at different rates. For this reason, some detergent tablets do not attain their full cleaning power during short cycles. Therefore please use dishwashing cycles with pre-wash when using detergent tablets.

Washing programmes

| Programme | Degree of soil and type of load | Half load option | Cycle description | Consumption values ¹⁾ | | |
|---------------------------------------|-------------------------------------------------------------|------------------|-----------------------------------------------------------------------------------------------------------------|----------------------------------|-----------------------------|----------------------------|
| | | | | Energy consumpt. (in kWh) | Water consumpt. (in litres) | Programme length (in min.) |
| 70° Intensive | Dinner service and cookware | x | Prewash Main wash up to 70° 2 intermediate rinses 1 final rinse Drying | 1,75 - 1,95 | 23 - 25 | 110 - 120 |
| Auto (50° - 65°)²⁾ | Dinner service and cookware | | Prewash Main wash up to 50° or 65° 1 or 2 intermediate rinses 1 final rinse Drying | 1,0 - 1,5 | 13 - 25 | 90 - 110 |
| 50° Economy³⁾ | Dinner service and cookware; temperature sensitive crockery | x | Prewash Main wash up to 50° 1 intermediate rinse 1 final rinse Drying | 0,95 - 1,05 | 13 - 15 | 130 - 160 |
| Quick wash (60°)⁴⁾ | Dishes, excluding sauce-pans | | Main wash up to 60° 1 final rinse | 0,8 | 9 | 30 |
| 45° Glass | Dessert dishes and coffee service, delicate glassware | | Main wash up to 45° 2 intermediate rinses 1 final rinse Drying | 0,9 | 15 | 73 |
| Rinse hold (cold)⁵⁾ | All types of dishes | | 1 rinse (to avoid food scraps from sticking together). This programme does not require the use of detergent. | < 0,1 | 4 | 12 |

1) The consumption values are intended as a guide and depends on the pressure and the temperature of the water and also by the variations of the power supply. The programme duration is visible in the display when the setting of the programme occurs.

2) "Automatic" washing programme;

During the "Automatic" washing programme the amount of soil on the dishes is determined by how cloudy the water is. If the appliance is partially loaded and the dishes lightly soiled, the "prewash", "main wash", and "rinse" phases of the programme are shorter and the water consumption level is lower.

If the appliance is fully loaded and the dishes heavily soiled, the "prewash", "main wash", and "rinse" phases of the programme are longer and the water consumption level is higher.

During the "Automatic" programme the temperature of the main wash water is also automatically adjusted between 50°C and 65°C depending on the amount of soil on the dishes.

3) Testing programme for EN 50242 (see "Hints for Test Centres").

This programme, developed for the use of detergents with enzymes, allows you to achieve, with reduced consumption of energy the same cleaning results that would otherwise be obtained only with the 65°C programmes and conventional detergents. To compensate the lower temperature, the duration of washing and drying have been extended.

4) When using this programme, only load the dishwasher half full.

5) This programme does not need any detergent.

Starting a washing programme

Check that the baskets have been loaded correctly and that the spray arms can rotate freely.


Turn on the water tap.

Close the dishwasher door.


Press the ON/OFF button.

Select the desired cycle.


The cycle indicator and the respective cycle stages in the cycle progress display will be illuminated. The remaining time expected for the cycle will be shown in the multi-display. The selected cycle will begin after approximately 3 seconds. The current stage of the cycle is always shown in the cycle progress display.

 During the dishwashing cycle, the remaining time shown in the multi-display may be adjusted according to the size of the load, degree of soiling, etc.

Interrupting or cancelling a washing programme in progress

 **Interrupt or cancel a washing programme in progress only if it is absolutely necessary.**

Interrupting or Cancelling a washing programme by opening the dishwasher door:

 Hot steam may escape when the door is opened. There is a risk of scalding.

- **Open the door carefully.** The programme will stop.
- Close the door. The programme will start from the point at which it was interrupted.

Cancelling a washing programme in progress

To cancel a washing programme you have to reset the dishwasher; press simultaneously function buttons **1** and **2** and keep them pressed.

The programme display for the current cycle will flash for several seconds and then go out.

Release the function buttons. The running programme has been cancelled.

If a new washing programme is to be selected, check that there is detergent in the detergent dispenser.

"Half load" button

This option is useful and economical when only a small load needs washing reducing the consumption of water and energy.


This option must be linked to the selection of a washing programme. (Programmes with this option are indicated in the chapter "Selecting the dishwasher cycle").

When selected, a back light will illuminate "Half load".

Load the dishes into both baskets (upper basket and lower basket).

When using this option we recommend to reduce the dose of detergent that is normally used for a complete load.

Setting the delay timer

 With the delay timer you can delay the start of a dishwashing cycle for between 1 and 19 hours.

1. Press the delay timer button repeatedly until the multi-display shows the desired time delay, for example *12h*, if the cycle is to start in 12 hours. The delay timer indicator is illuminated.
2. Select dishwashing cycle.
3. The time remaining to the start of the cycle is continuously displayed (e. g. *12h*, *1h*, *10h*, ... *1h* etc.).

Cancelling a delay start

To cancel a delay start in progress you have to reset the dishwasher; follow the same instructions given in "Cancel a washing programme in progress". Cancelling a delay start involves also the cancelling of the washing programme set. In this case you have to set the washing programme again.

To change the time delay:

As long as the cycle has not yet started, you can still change the setting by pressing the DELAY TIMER button.

Cancelling the time delay:

Press the Delay Timer button repeatedly until the length of the selected cycle appears in the multi-display. The selected dishwashing cycle will begin immediately.

To change a dishwashing cycle


As long as the cycle has not yet started, you can still change the dishwashing cycle. First cancel the dishwashing cycle, then reset the time delay, lastly select the new dishwashing cycle.

Switching off the dishwasher

Only switch the dishwasher off when the multi-display indicates "0" for the cycle time remaining and the end of programme indicator is illuminated.


With some dishwashing cycles, the drying fan continues to run even after the end of the cycle.

1. Press the ON/OFF button. All display indicators will go out.
2. Turn off the water tap.


 Carefully open the door. Hot steam may escape.

- Hot dishes are sensitive to knocks. Therefore leave the dishes to cool for about 15 minutes before removing them. You also get a better drying result.
- Dishes dry more quickly if you open the door for a moment after the cycle has ended and then leave it slightly open.

Unloading the dishwasher

 It is normal for the inner door and the dispensers to be damp.

- Empty the lower basket first, then the upper basket. This way you avoid dripping water from the upper basket onto dishes in the lower basket.
- Water may appear on the sides and the door of the dishwasher as the stainless steel will eventually become cooler than the dishes.

 **When the washing programme has finished, it is recommended that the dishwasher is unplugged and the water tap turned off.**

Maintenance and cleaning

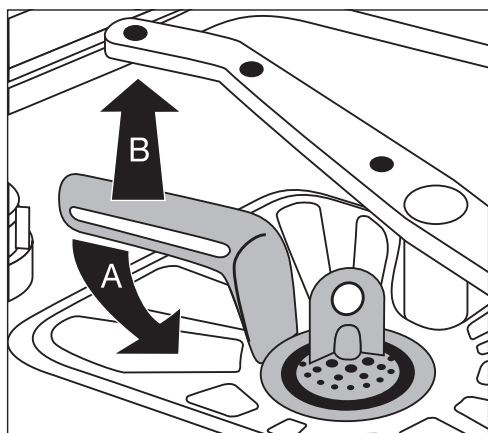
Clean the external surfaces of the machine and control panel with a damp soft cloth. If necessary use only neutral detergents.

Never use abrasive products, scouring pads or solvent (acetone, trichloroethylene etc....).

Ensure that the seals around the door, the detergent and rinse aid dispensers are cleaned regularly with a damp cloth.

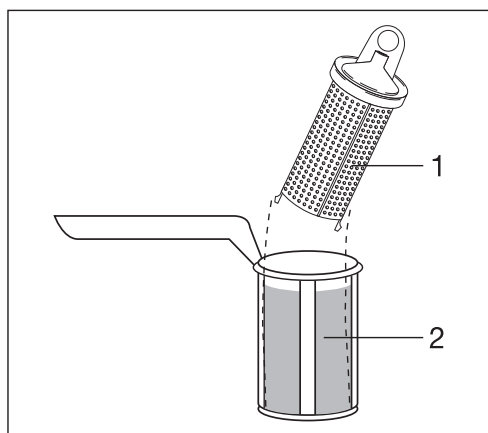
Cleaning the Filters

i The filters must be regularly checked and cleaned. Dirty filters will spoil the wash results.

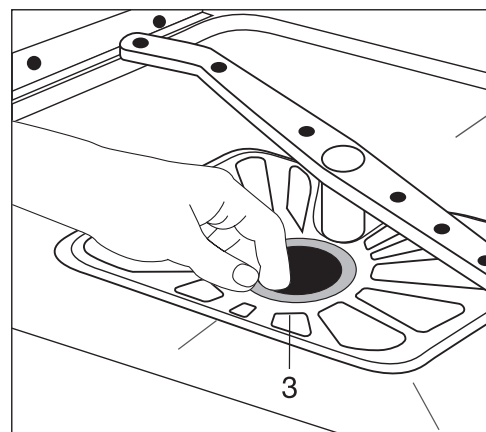


! Before cleaning assure that the machine is switched off.

1. Open the door and remove the lower basket.
2. Turn the handle about $\frac{1}{4}$ of a turn anticlockwise (A) and remove the filter system (B).
3. Grasp the grip hole on the fine filter (1) and remove it from the micro-filter (2).



4. Clean all filters thoroughly under running water.
5. Remove the flat filter (3) from the base of the washing compartment and clean both surfaces thoroughly.

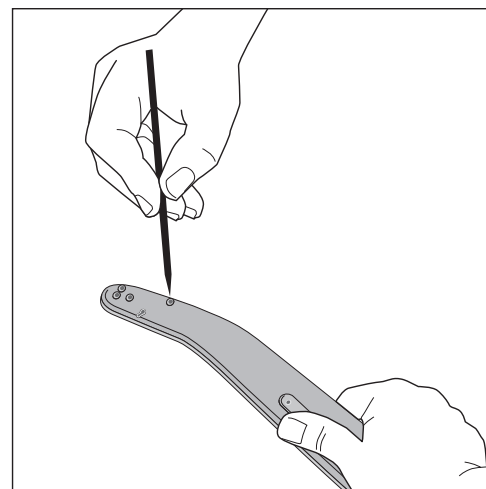


6. Re-insert the flat filter.
7. Place the fine filter in the micro-filter and fit the two together.
8. Insert the filter system in place and lock it by turning the handle clockwise as far as it will go. Ensure that the flat filter does not protrude above the base of the washing compartment.

! Under no circumstances may the dishwasher be used without its filters. Incorrect repositioning and fitting of the filters will produce poor washing results.

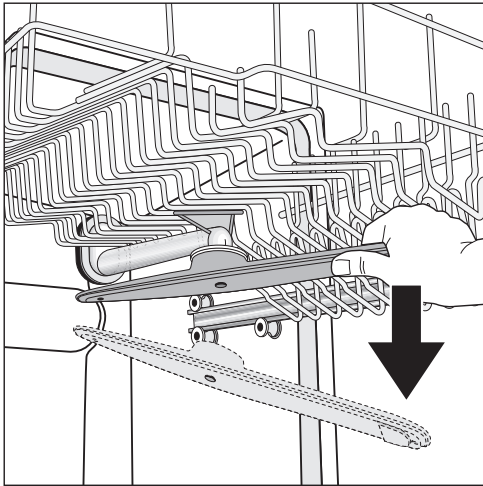
Cleaning the Spray Arm Jets

Regularly check the jets in the spray arms for blockages. When cleaning is necessary, remove spray arm from the fixture and clean jets with a pointed object (wire or needle). Then rinse out the spray arm using a strong jet of water.

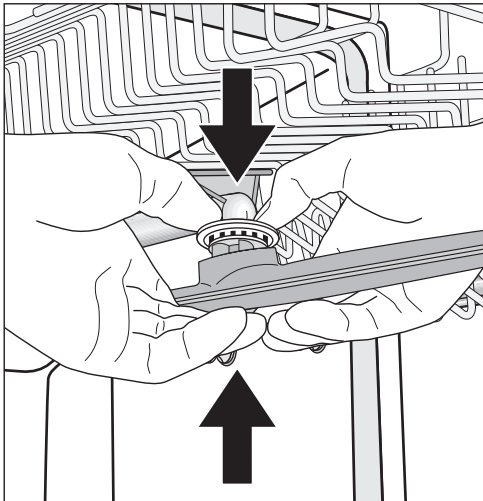


i Do not damage the jet opening.

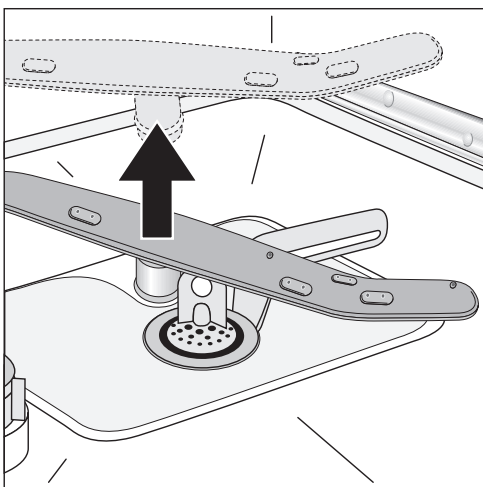
Upper basket spray arm



1. To remove upper basket spray arm, tilt it down hard.
2. Clean spray arms jets.
3. Place cleaned upper basket spray arm back in position against the connecting piece: press the two together firmly, until you feel them snap into place.



Bottom spray arm



1. To remove bottom spray arm, pull it upwards out of its catch.
2. Clean spray arm jets.
3. Place bottom spray arm back in position against connecting piece and press down firmly, until you feel it snap into place.

Prolonged periods of non-operation

If you are not using the machine for any period of time you are advised to:

1. Unplug the appliance and then turn off the water.
2. Leave the door ajar to prevent the formation of any unpleasant smells.
3. Leave the inside of the machine clean.

Frost precautions

Avoid placing the machine in a location where the temperature is below 0°C. If this is unavoidable, empty the machine, close the appliance door, disconnect the water inlet pipe and empty

Moving the machine

If you have to move the machine (moving house etc....):

1. Unplug it.
2. Turn the water tap off.
3. Remove the water inlet and discharge hoses.
4. Pull the machine out together with the hoses. Avoid over tilting the machine during transportation.

Something Not Working

If the dishwasher is not working correctly, please carry out the following checks, before contacting your local Service Force agent.

IMPORTANT: If the END light flashes and an alarm code is displayed, switch the machine off and call the telephone number given below.

IMPORTANT: If you call out an engineer to a fault listed below, or to repair a fault caused by incorrect use or installation, a charge will be made even if the appliance is under guarantee.

...a flashing fault code appears

If one of the following fault codes is displayed in the multi-display during operation:

- Fault code **i** (Problems with water inlet),
 - Fault code **i2** (Problems with water drainage),
- please have a look at the following table.

When the fault is remedied, press the button for the cycle that has started. The cycle will continue.

With other fault codes (“**i**” followed by a number):

- Cancel the dishwashing cycle.
- Switch the appliance off and on again.
- Re-set the dishwashing cycle.

If the fault is displayed again, please contact your local Service Force Centre and inform them of the fault code.

| Symptom | Possible cause | Solutions |
|------------------------------------------------------------------------------------------------------------------------------------------------------------|----------------------------------------------------------------------------------------------|----------------------------------------------------------------------------------------------------------------------------------------------------------------------|
| The cycle indicator for the selected dishwashing cycle is flashing: fault code i is displayed in the multi-display: (Problems with water inlet) | The water tap is blocked or furred with limescale. | Clean the water tap. |
| | The water tap is turned off. | Turn the water tap on. |
| | The filter (where present) in the threaded hose fitting at the water inlet valve is blocked. | Clean the filter in the threaded hose fitting. |
| | Filters in the base of the dishwasher compartment are blocked. | Cancel the dishwashing cycle (see chapter: Starting a washing programme), clean filters (see chapter: Cleaning the filters), then start the washing programme again. |
| | The water inlet hose has not been correctly laid or it is bent or squashed. | Check the water inlet hose connection. |
| The cycle indicator for the selected dishwashing cycle is flashing, fault code i2 is displayed in the multi-display. (Problems with water drainage) | The sink spigot is blocked. | Clean out the sink spigot. |
| | The water drain hose has not been correctly laid or it is bent or squashed. | Check the water drain hose connection. |
| Fault code i3 is displayed in the multi-display. | The anti-flood system has been triggered. | First shut off the water tap, then switch off the appliance and contact our extended warranty administrators, refer to Repairs - After Sales Service on page 29. |

Once the checks have been carried out, close the door and press the button of the programme that was running before the intervention of the alarm. The programme will continue from the point at which it was interrupted. If the fault code reappears or if another fault code not described above appears contact our extended warranty administrators, refer to Repairs - After Sales Service on page 29.



Attention: once having verified which kind of malfunction has occurred, before carrying out the checks the appliance **MUST** be switched off.

| Symptom | Possible cause | Solutions |
|--------------------------------------------------------|---------------------------------------------------------------------------------------------------------------------------------------------------------------------------------------------------------------------------------------------------------------------------------------------------------|----------------------------------------------------------------------------------------------------------------------------------------------------------------------------------------------------------------------|
| The cycle is not starting. | The mains plug is not plugged in. | Plug in mains plug. |
| | A fuse in the house's wiring system is defective. | Replace fuse. |
| | For dishwasher models with a delay start timer: A start time has been selected. | If the dishes are to be washed immediately, cancel the delay start. |
| Rust spots are visible in the dishwashing compartment. | The dishwashing compartment is made from rust-free stainless steel. Rust spots in the dishwashing compartment are due to rust particles from external sources (rust particles from water pipes, pans, cutlery, etc.). Remove such spots with a commercially-available stainless steel cleaning product. | Only wash cutlery, dishes and pans that are suitable for dishwasher use. |
| A whistling noise can be heard when washing dishes. | The whistling is not a cause for concern. | Decalcify appliance with commercially available agents for cleaning dishwashers. If the noises can still be heard after decalcifying the machine, use a different brand of detergent for washing cutlery and dishes. |

...the wash results are not satisfactory

The dishes are not clean

- The wrong washing programme has been selected.
- The dishes were arranged in such a way as to stop water reaching all parts of the surface. The baskets must not be overloaded.
- The spray arms do not rotate freely due to wrong arrangement of the load.
- The filters in the base of the washing compartment are dirty or incorrectly positioned.
- Too little or no detergent has been used.
- Where there are limescale deposits on the dishes; the salt container is empty or the wrong level of the water softener has been selected.
- The drain hose connection is not correct.
- The salt container cap is not properly closed.

The dishes are wet and dull

- Rinse aid was not used.
- The rinse aid dispenser is empty.

There are streaks, milky spots or a bluish coating on glasses and dishes

- Decrease rinse aid dosing.

Water drops have dried onto glasses and dishes

- Increase rinse aid dosing.
- The detergent may be the cause. Contact the detergent manufacturer's consumer care line.

Repairs - After Sales Service

If your dishwasher is not performing satisfactorily; consult the fault finding guides within this instruction book (Something not working). If a fault occurs which you can not resolve through following the advice and information contained within this instruction manual, the next step is to contact our extended warranty administrators on

0870 0107887

They will give you details for your local Service Force Centre.

Before calling out an engineer, please ensure you have read the details under the heading "Something Not Working".

When you contact your local Service Force Centre you will need to give the following details:

1. Your name, address and post code
2. Your telephone number
3. Clear and concise details of fault
4. The purchase date and found on your receipt.
5. The model and serial number of the appliance (found on the rating plate located on the side of the dishwasher door - see picture on page 5).

So that you always have these numbers at hand, we recommend you to make a note of them here:

Mod. :

PNC :

S.N. :

Your dishwasher is covered by a 3 year parts and labour guarantee (see separate details given at point of sale). Please retain your purchase receipt safely for the service engineer to verify the purchase details.

Spare parts

Always insist on genuine spare parts.

An authorised service engineer should service this product, and only genuine spare parts should be used. Under no circumstances should you attempt to repair the machine yourself. Repairs carried out by inexperienced persons may cause injury or serious malfunctioning. Contact your local Service Force Centre. An authorised service engineer always insist on genuine spare parts.

John Lewis Partnership

171 Victoria Street

London SW1E 5NN

www.johnlewis.com